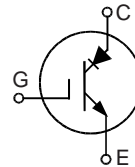


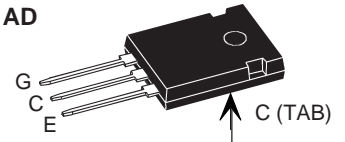
IGBT with Reverse Blocking capability

IXRH 50N80
IXRH 50N60

$V_{CES} = 600 / 800V$
 $I_{C25} = 60 A$
 $V_{CE(sat)} = 2.5 V$
 $t_f = 75 ns$



TO-247 AD



G = Gate,
E = Emitter, C = Collector,
TAB = Collector

IGBT			
Symbol	Conditions	Maximum Ratings	
V_{CES}	$T_{VJ} = 25^{\circ}C$ to $150^{\circ}C$	IXRH 50N80	± 800 V
		IXRH 50N60	± 600 V
V_{GES}			± 20 V
I_{C25}	$T_C = 25^{\circ}C$		60 A
I_{C90}	$T_C = 90^{\circ}C$		40 A
I_{CM}	$V_{GE} = 0/15 V$; $R_G = 22 \Omega$; $T_{VJ} = 125^{\circ}C$		80 A
V_{CEK}	RBSOA, Clamped inductive load; $L = 100 \mu H$		500 V
P_{tot}	$T_C = 25^{\circ}C$		300 W

Features

- IGBT with NPT (non punch through) structure
- reverse blocking capability independent from gate voltage
 - function of series diode monolithically integrated
 - no external series diode required
 - soft reverse recovery
- positive temperature coefficient of saturation voltage
 - optimum current distribution when paralleled
- Epoxy of TO 247 package meets UL 94V-0

Applications

converters requiring reverse blocking capability:

- current source inverters
- matrix converters
- bi-directional switches
- resonant converters
- induction heating
- auxiliary switches for soft switching in the main current path

Symbol	Conditions	Characteristic Values ($T_{VJ} = 25^{\circ}C$, unless otherwise specified)			
		min.	typ.	max.	
$V_{CE(sat)}$	$I_C = 40 A$; $V_{GE} = 15 V$; $T_{VJ} = 25^{\circ}C$ $T_{VJ} = 125^{\circ}C$		2.5 3.0	3.1 V V	
$V_{GE(th)}$	$I_C = 2 mA$; $V_{GE} = V_{CE}$	4		8 V	
I_{CES}	$V_{CE} = 0.8 V_{CES}$; $V_{GE} = 0 V$; $T_{VJ} = 25^{\circ}C$ $T_{VJ} = 125^{\circ}C$		3.0	0.4 mA mA	
I_{GES}	$V_{CE} = 0 V$; $V_{GE} = \pm 20 V$			500 nA	
$t_{d(on)}$ t_r $t_{d(off)}$ t_f E_{on} E_{off}	Inductive load, $T_{VJ} = 125^{\circ}C$ $V_{CE} = 500 V$; $I_C = 40 A$ $V_{GE} = 0/15 V$; $R_G = 22 \Omega$		80 100 380 75 3.6 2.1	ns ns ns ns mJ mJ	
C_{ies}		$V_{CE} = 25 V$; $V_{GE} = 0 V$; $f = 1 MHz$		4	nF
Q_{Gon}		$V_{CE} = 500V$; $V_{GE} = 15 V$; $I_C = 40 A$		150	nC
I_{RM} t_{rr}		$I_F = 40 A$; $di_C/dt = -400 A/\mu s$; $T_{VJ} = 125^{\circ}C$ $V_{CE} = -500 V$; $V_{GE} = 15 V$		58 840	A ns
R_{thJC}					0.42 K/W

IXYS reserves the right to change limits, test conditions and dimensions.

© 2000 IXYS All rights reserved

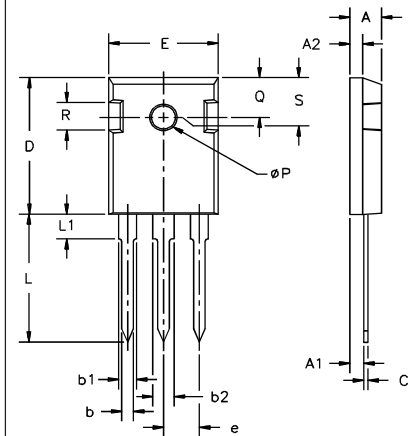
IXYS Semiconductor GmbH
Edisonstr. 15, D-68623 Lampertheim
Phone: +49-6206-503-0, Fax: +49-6206-503627

IXYS Corporation
3540 Bassett Street, Santa Clara CA 95054
Phone: (408) 982-0700, Fax: 408-496-0670

Component

Symbol	Conditions	Maximum Ratings	
T_{VJ}		-55...+150	°C
T_{stg}		-55...+125	°C
M_d	mounting torque	0.8 - 1.2	Nm
F_C	mounting force with clip	20...120	N

Symbol	Conditions	Characteristic Values		
		min.	typ.	max.
R_{thCH}	with heatsink compound		0.25	K/W
Weight			6	g

TO-247 AD Outline


Dim.	Millimeter		Inches	
	Min.	Max.	Min.	Max.
A	4.7	5.3	.185	.209
A ₁	2.2	2.54	.087	.102
A ₂	2.2	2.6	.059	.098
b	1.0	1.4	.040	.055
b ₁	1.65	2.13	.065	.084
b ₂	2.87	3.12	.113	.123
C	.4	.8	.016	.031
D	20.80	21.46	.819	.845
E	15.75	16.26	.610	.640
e	5.20	5.72	0.205	0.225
L	19.81	20.32	.780	.800
L1		4.50		.177
ØP	3.55	3.65	.140	.144
Q	5.89	6.40	0.232	0.252
R	4.32	5.49	.170	.216
S	6.15	BSC	242	BSC